

Start >

JACKS

INDEX



Home lift



Residential



Goods Lift

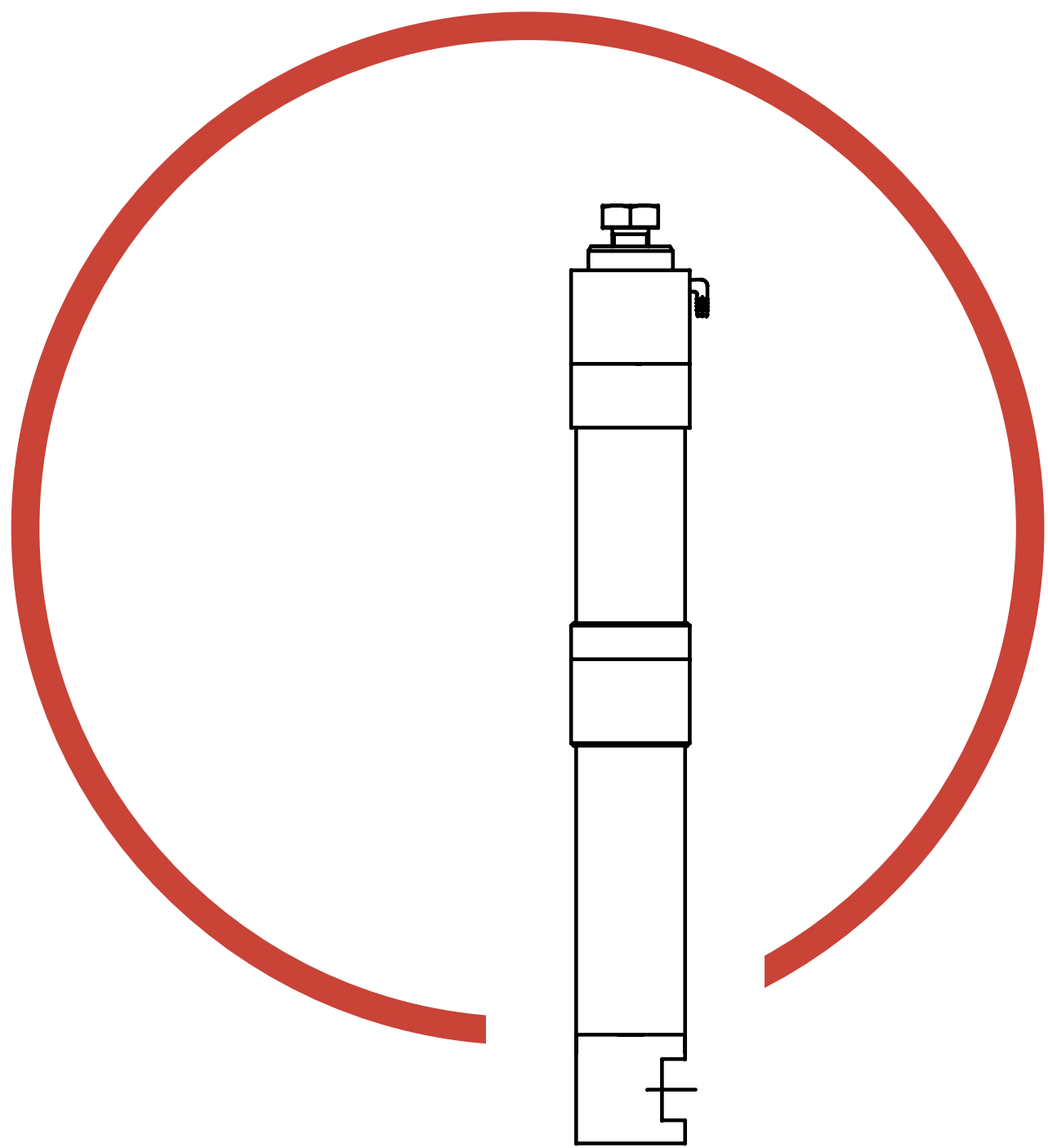


Compact

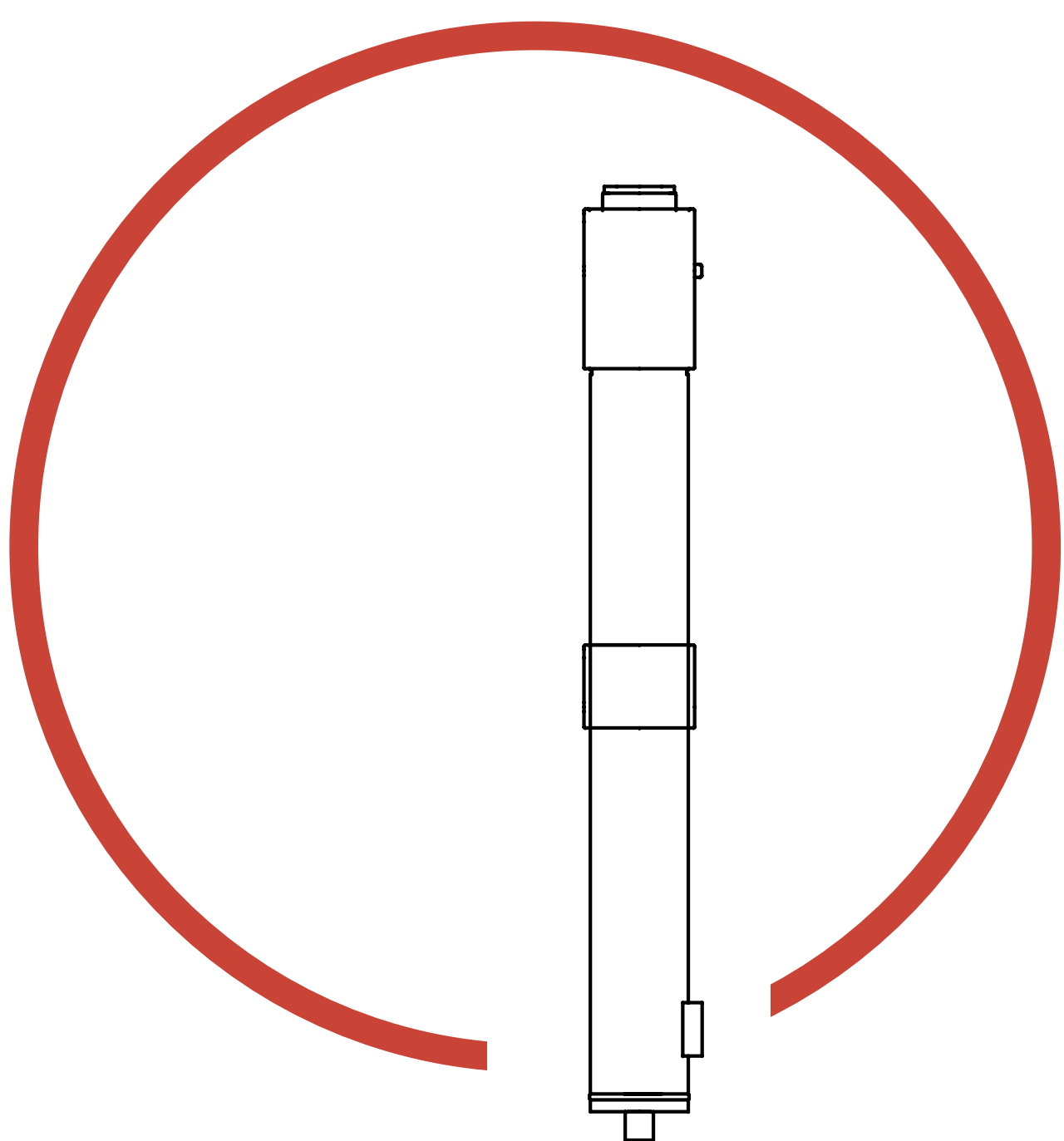


Accessories

Home lift

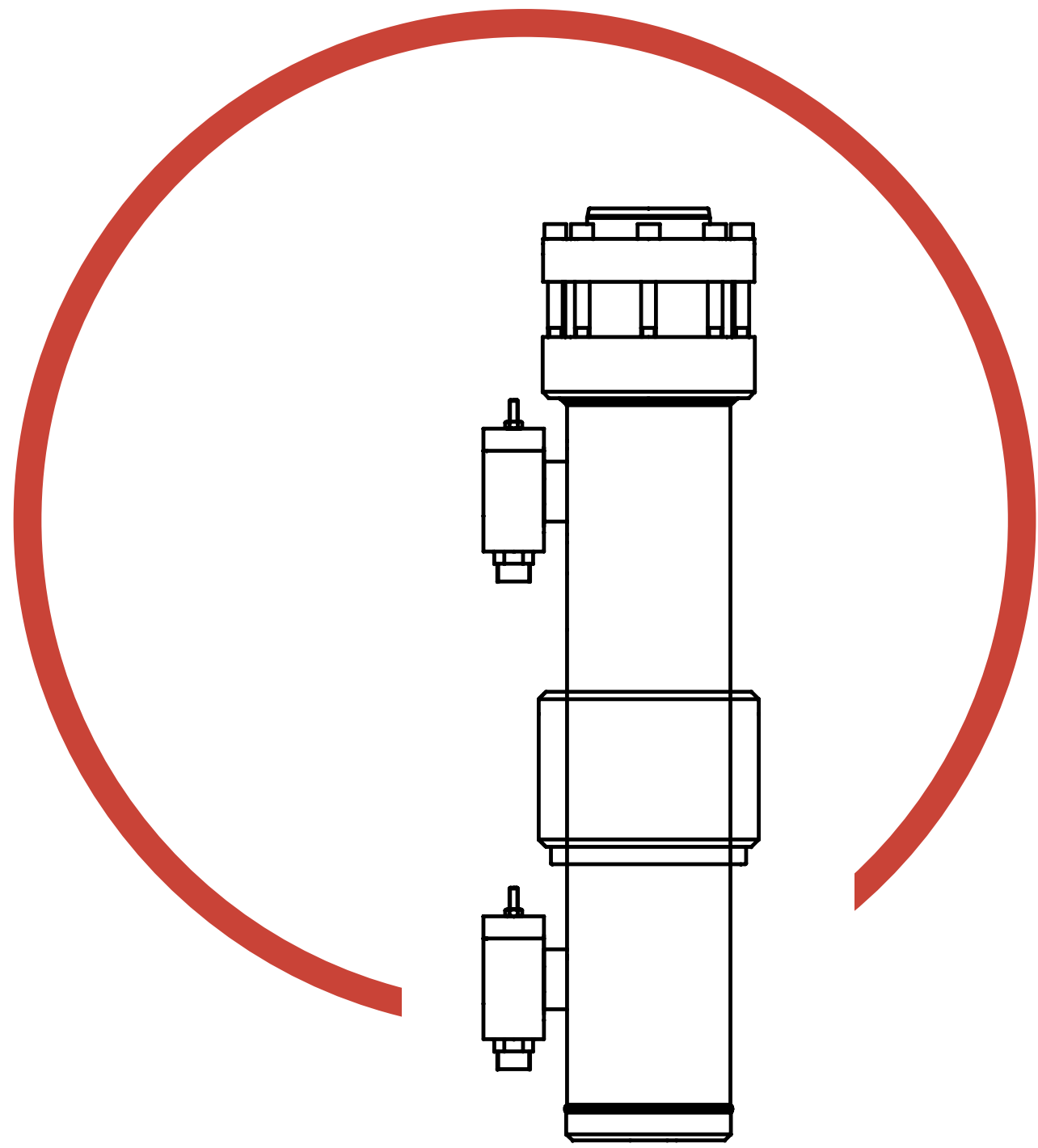


9131 MCE-HL

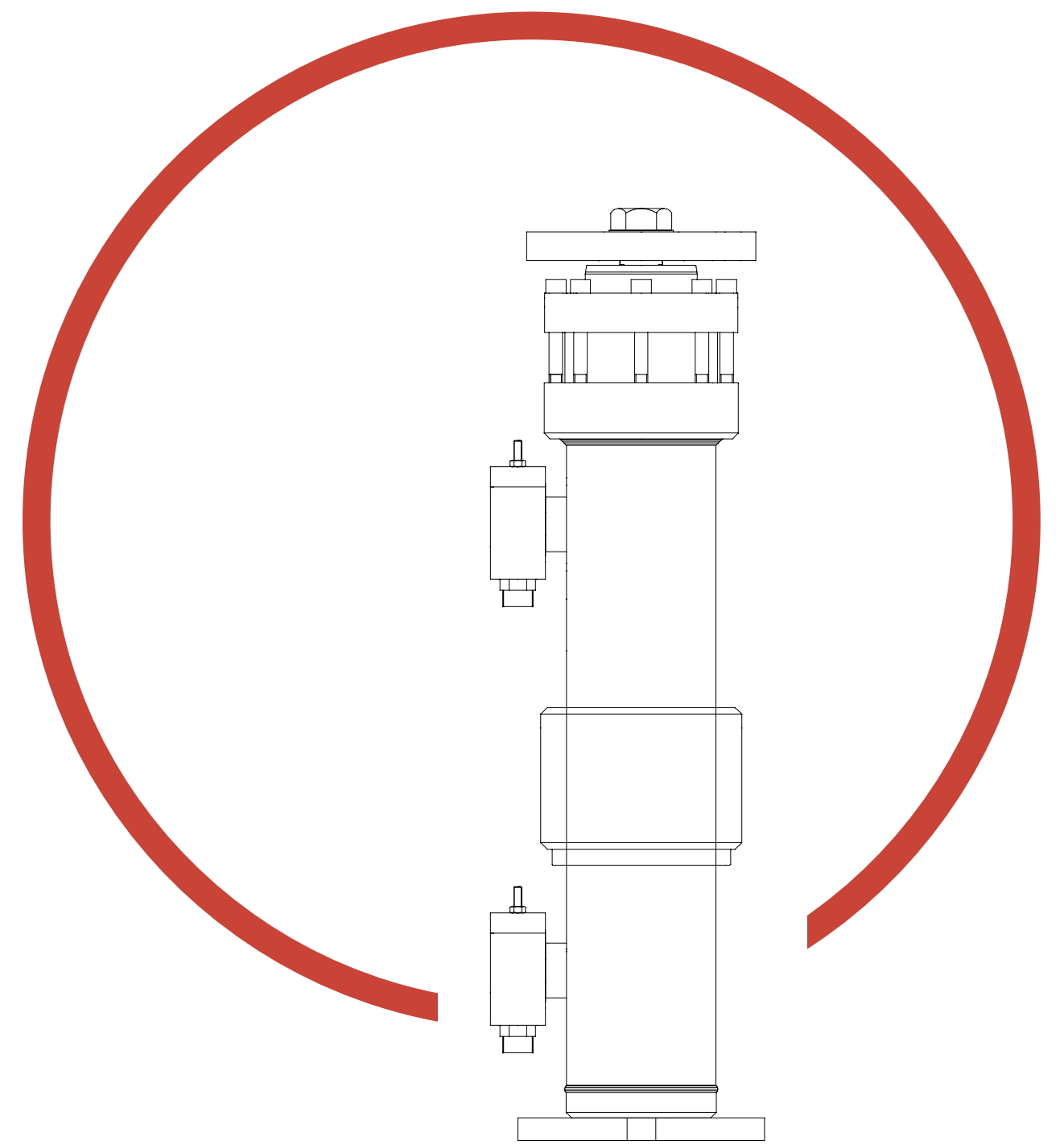


MINI

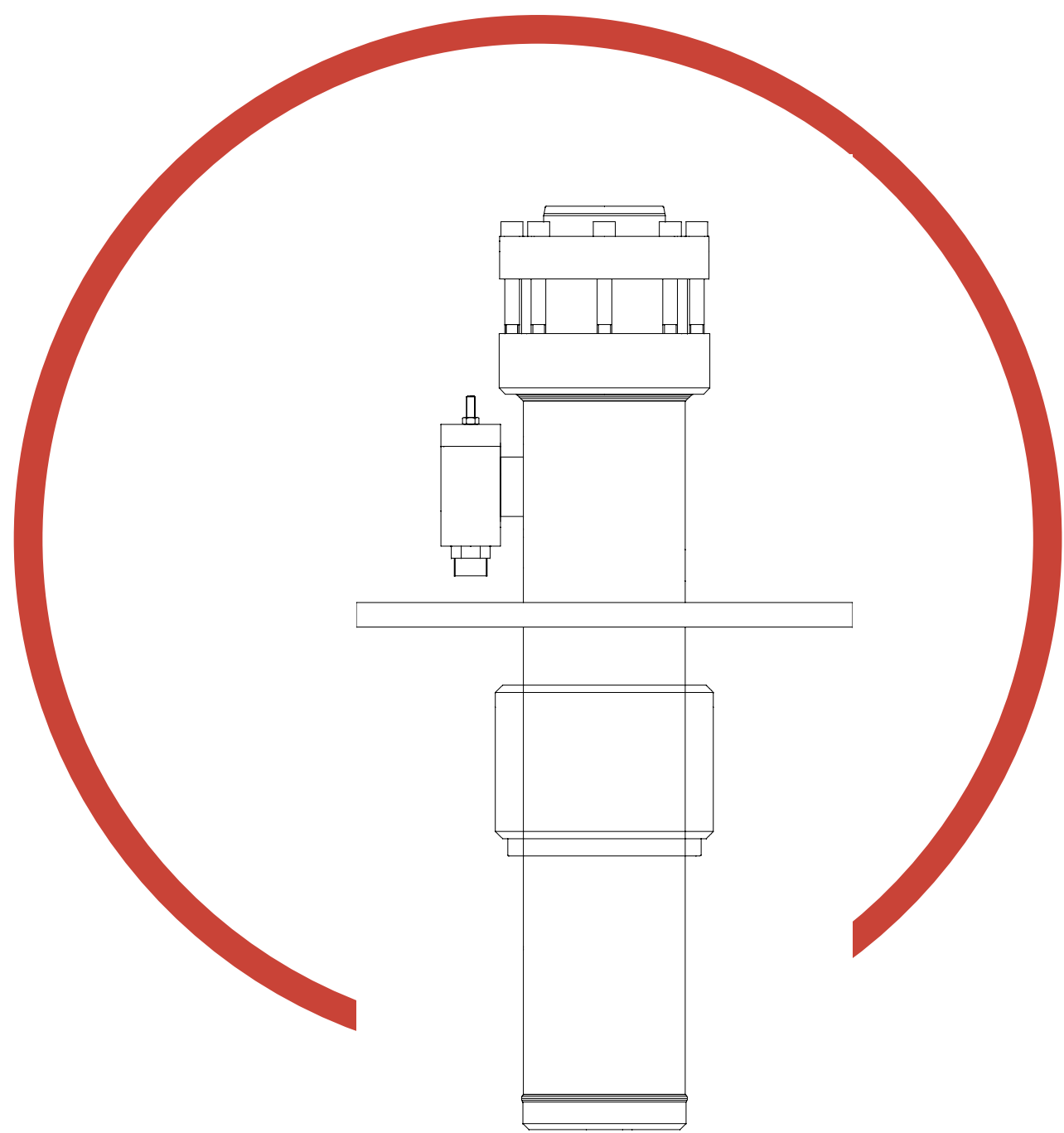
Residential



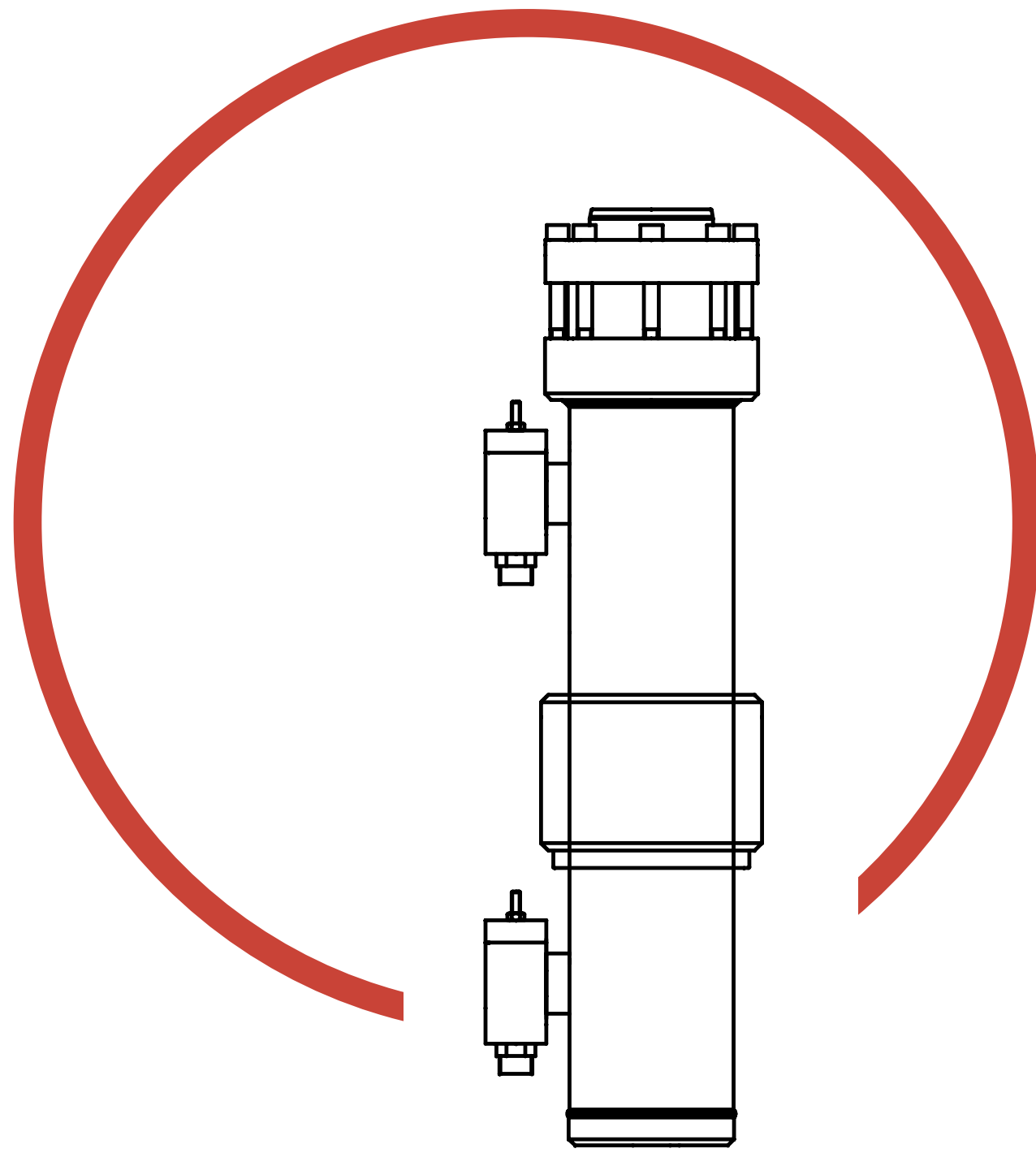
FULL RANGE
INDIRECT ACTING SIDE 2:1



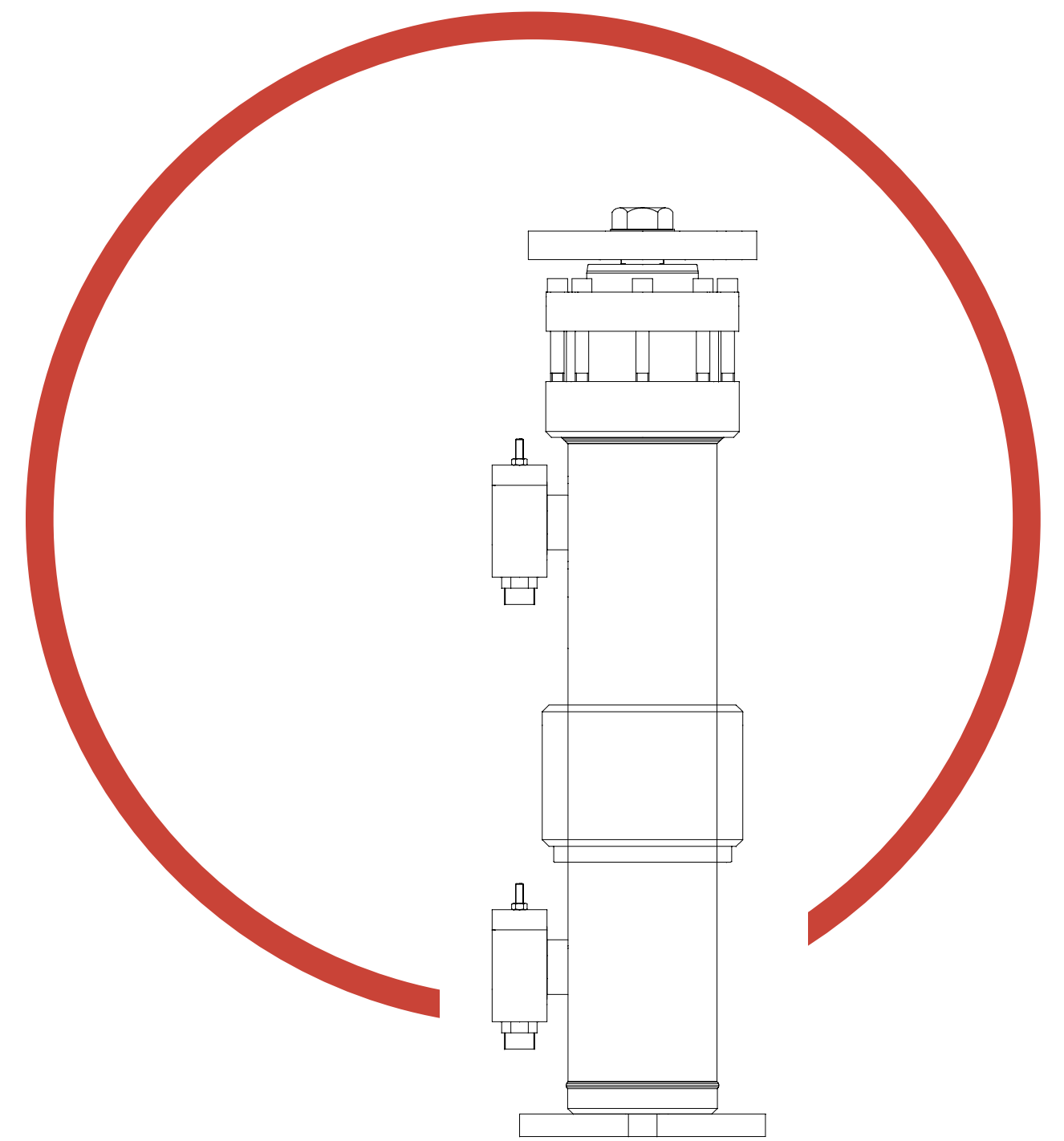
FULL RANGE
DIRECT ACTING SIDE 1:1



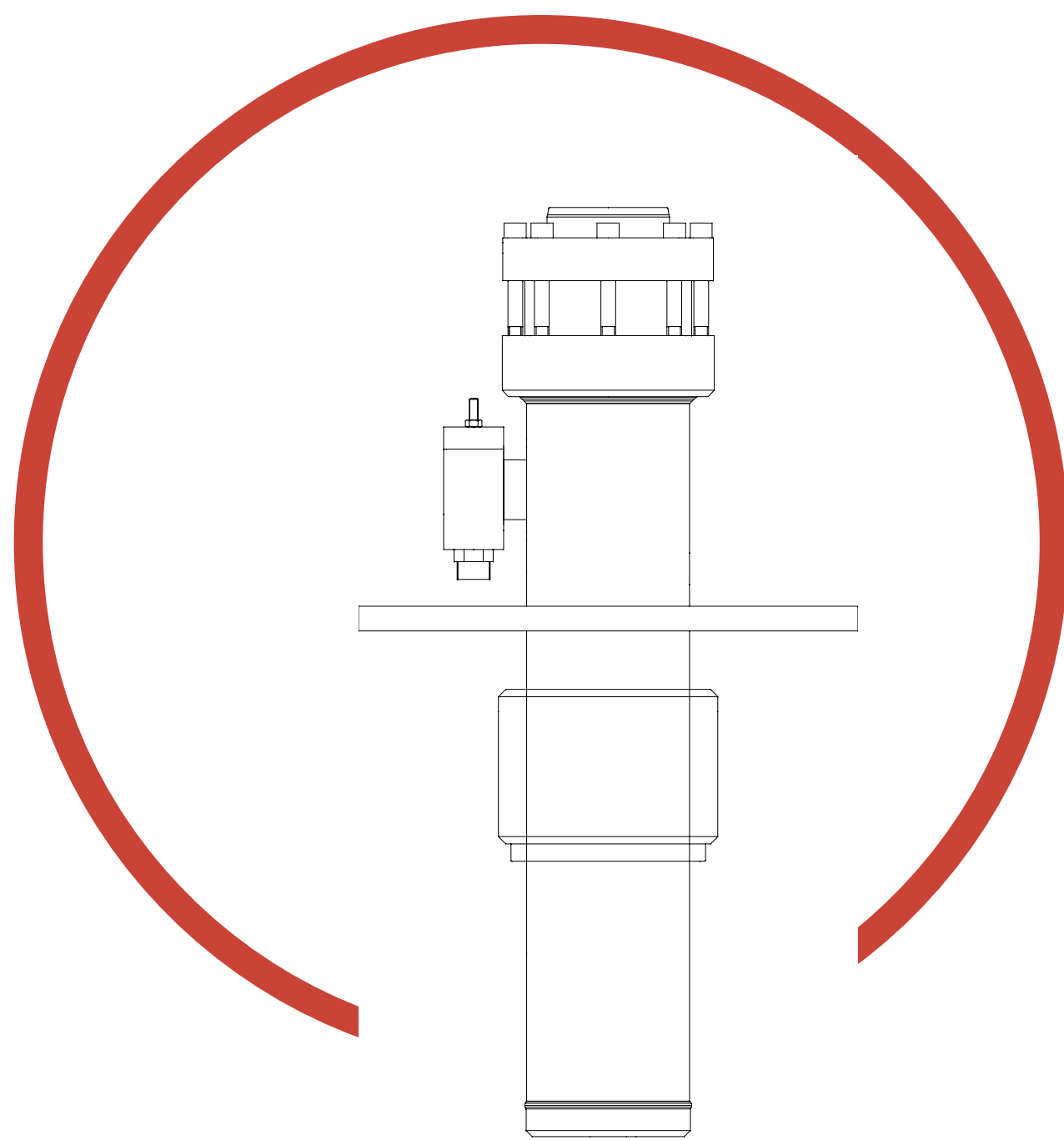
FULL RANGE
CENTRAL DIRECT JACK 1:1



FULL RANGE
INDIRECT ACTING SIDE 2:1

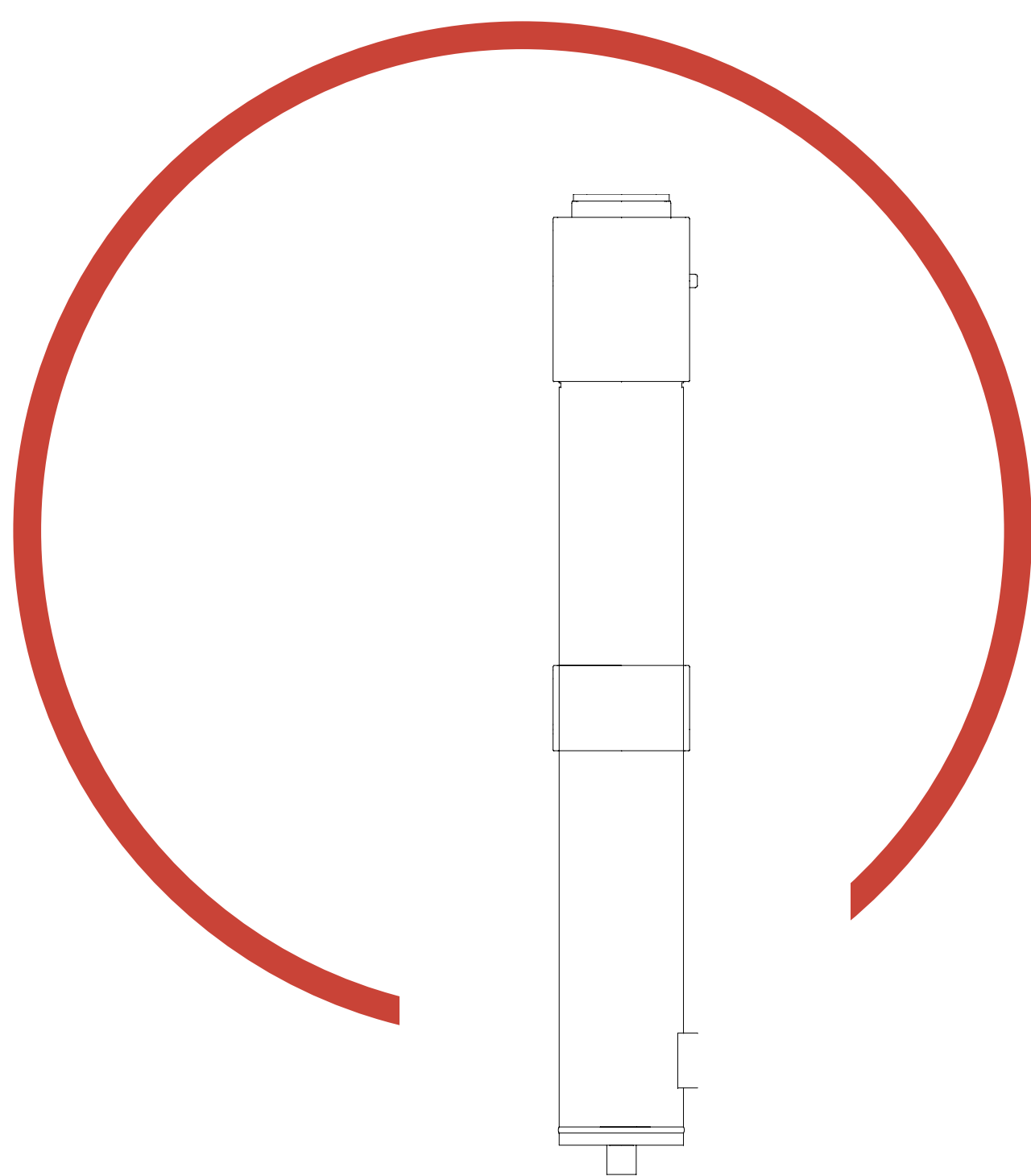


FULL RANGE
DIRECT ACTING SIDE 1:1



FULL RANGE
CENTRAL DIRECT JACK 1:1

Compact



HL COMPACT

[< Index](#)

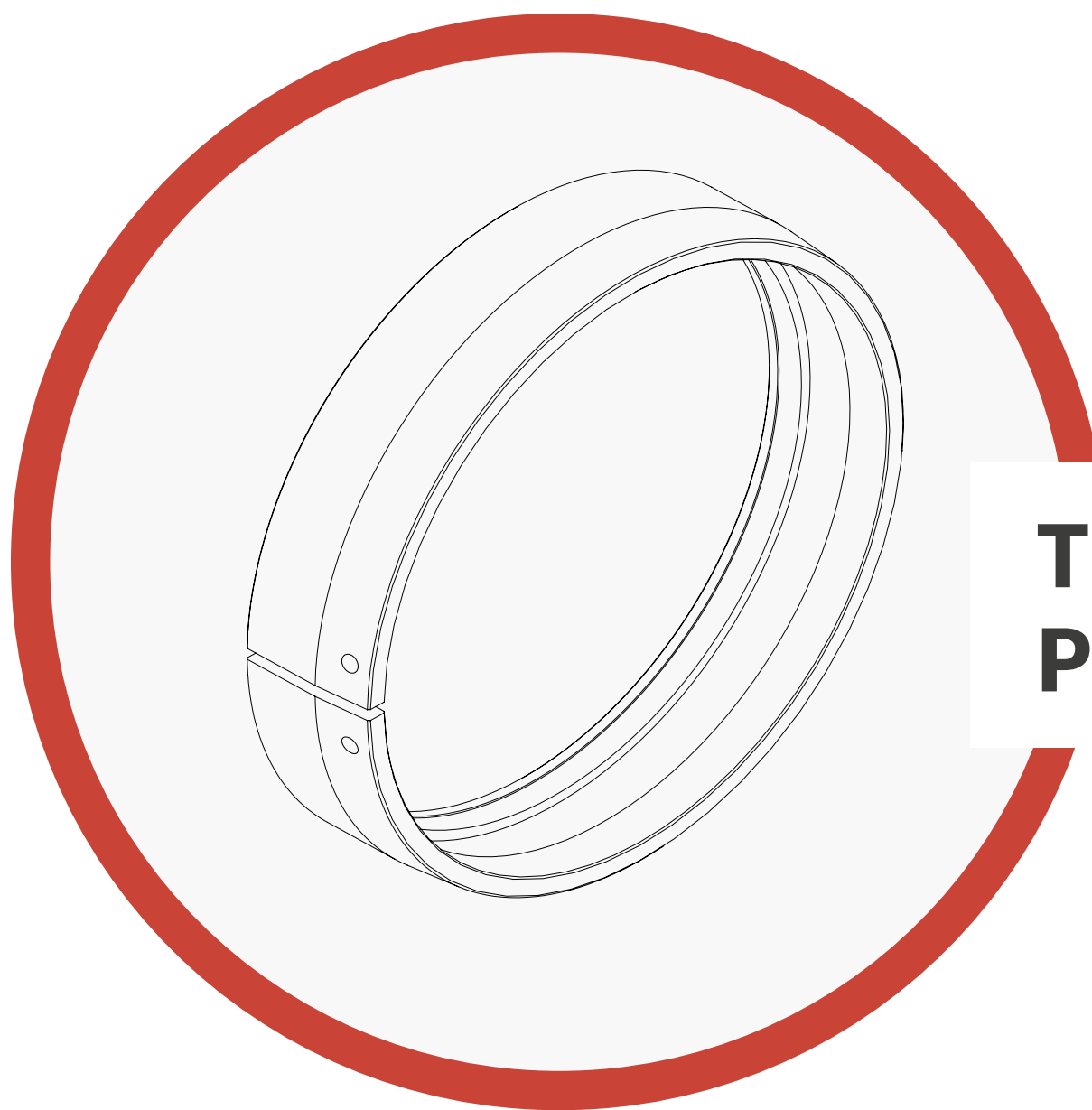


[Ask for more >](#)

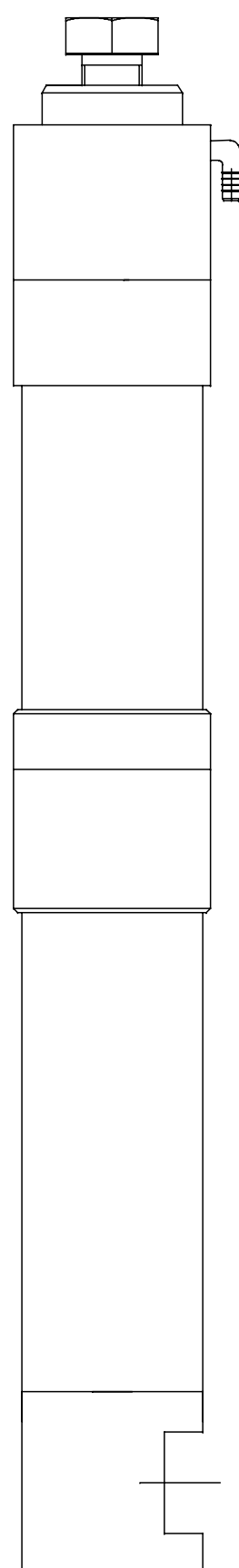
Accessories



RUPTURE VALVE



**TRANSPORTATION
PROTECTION RING**

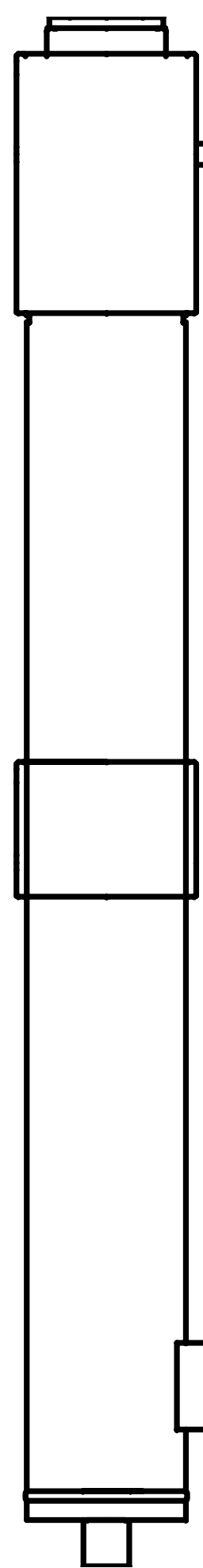


Main advantages

- ▶ Space efficient
- ▶ Integrated rupture valve

Technical Informations

Equipment category	HOME LIFT
Ratio	INDIRECT ACTING SIDE 2:1
Max piston travel (m)	6
Number of piston pieces	1 - 2
Diameters (mm)	70 - 80
Thicknesses (mm)	5 - 7,5 - 12
Max. Pressure (bar)	45 bar

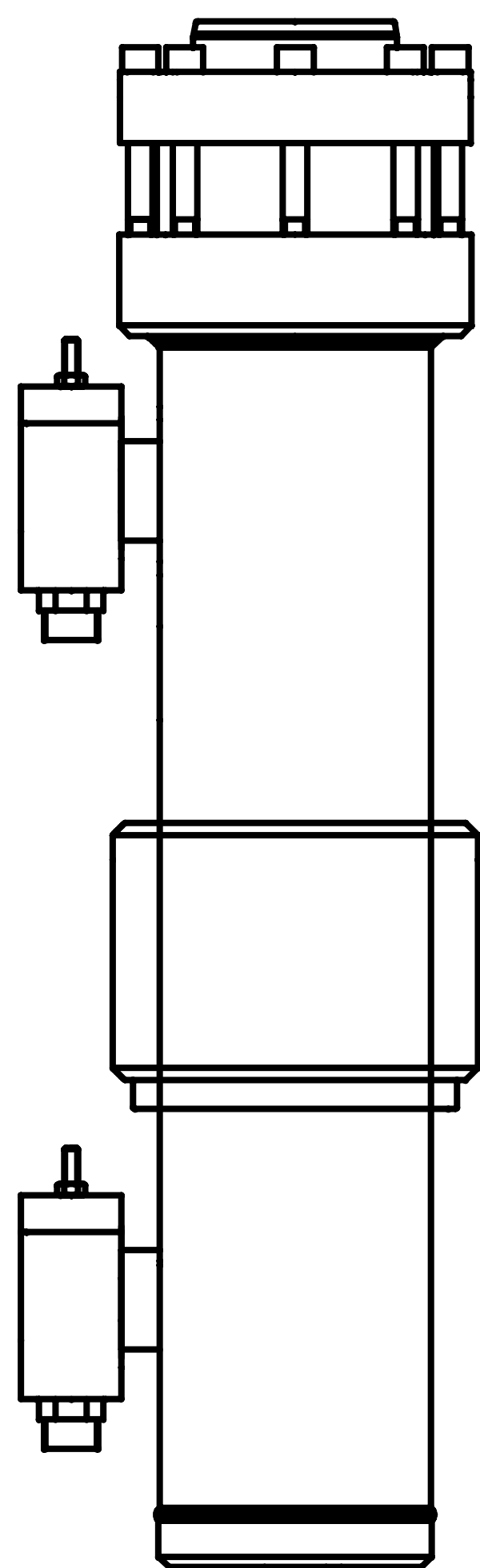


Main advantages

- ▶ Reduced dimension
- ▶ High pressure
- ▶ High quality

Technical Informations

Equipment category	HOME LIFT
Ratio	INDIRECT ACTING SIDE 2:1
Max piston travel (m)	12
Number of piston pieces	1 - 2
Diameters (mm)	60 - 80
Thicknesses (mm)	5 - 7,5 - 12
Max. Pressure (bar)	50 bar



Main advantages

- ▶ High performance design to achieve high pressures
- ▶ Compact and mechanical precise CYL/ROD joint

Technical Informations

Equipment category	RESIDENTIAL
Ratio	INDIRECT ACTING SIDE 2:1
Max piston travel (m)	12
Number of piston pieces	1 - 2 - 3
Diameters (mm)	DA 70 A 200*
Thicknesses (mm)	5 - 7 - 12 - 22
Max. Pressure (bar)	D70-D140 = 47 bar D150-D165 = 50 bar D180-D200 -> 45 bar

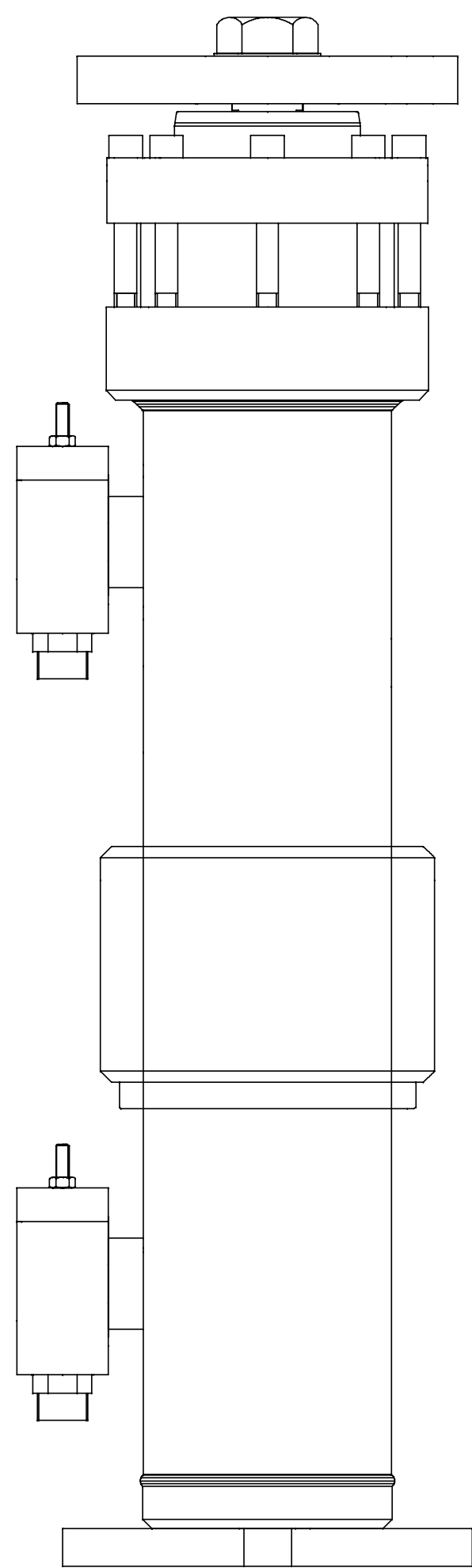
* 9130 model type
Available Diameters 50, 60 and 70 divided in two pieces

< Back to [Residential Jacks INDEX](#)

< Index



Ask for more >



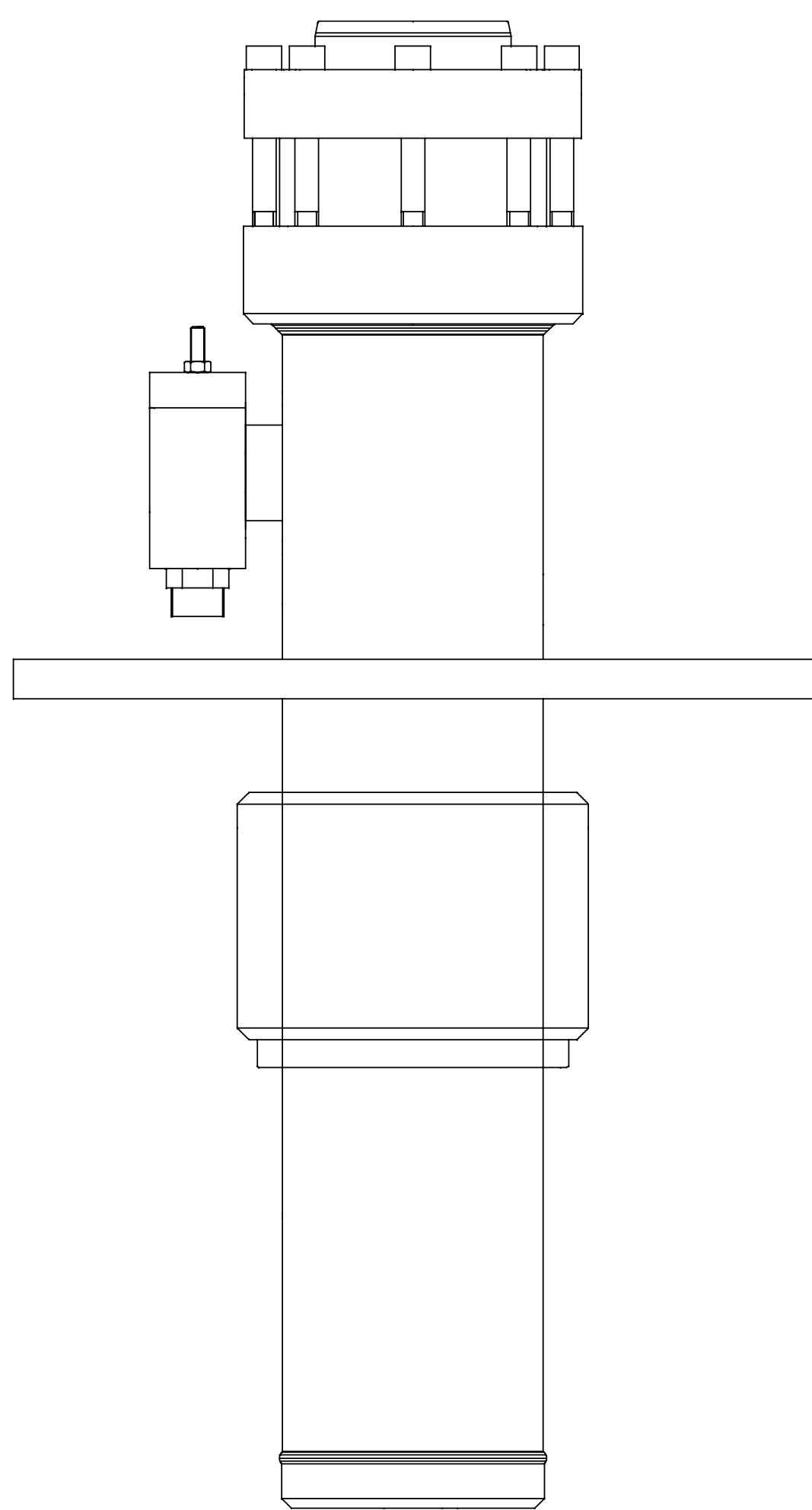
Main advantages

- ▶ High comfort thanks to the ball joint
- ▶ Compact and mechanical precise CYL/ROD joint

Tecnical Informations

Equipment category	RESIDENTIAL
Ratio	DIRECT ACTING SIDE 1:1
Max piston travel (m)	12
Number of piston pieces	1 - 2 - 3
Diameters (mm)	DA 70 A 200*
Thicknesses (mm)	5 - 7 - 12 - 22
Max. Pressure (bar)	D70-D140 = 47 bar D150-D165 = 50 bar D180-D200 -> 45 bar

* 9130 model type
Available Diameters 50, 60 and 70 divided in two pieces

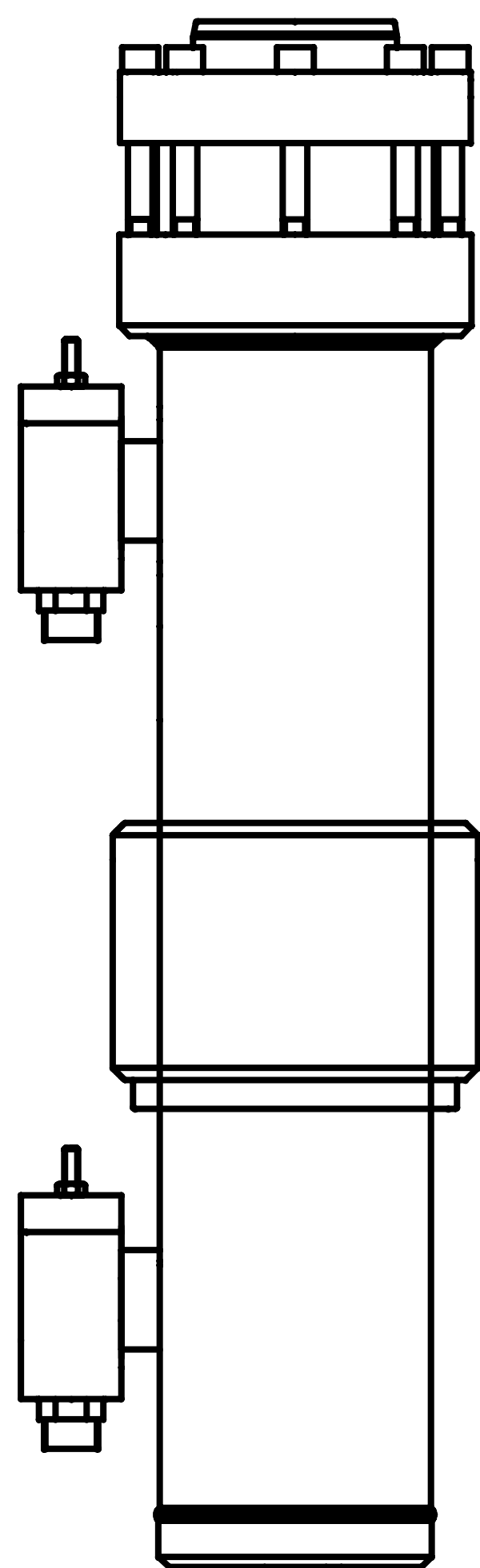


Main advantages

- ▶ Designed for panoramic lift
- ▶ Compact and mechanical precise CYL/ROD joint

Technical Informations

Equipment category	RESIDENTIAL
Ratio	CENTRAL DIRECT JACK 1:1
Max piston travel (m)	12
Number of piston pieces	1 - 2 - 3
Diameters (mm)	DA 70 A 200*
Thicknesses (mm)	5 - 7 - 12 - 22
Max. Pressure (bar)	D70-D140 = 47 bar D150-D165 = 50 bar D180-D200 -> 45 bar



Main advantages

- ▶ High performance design to achieve high pressures
- ▶ Compact and mechanical precise CYL/ROD joint

Technical Informations

Equipment category	GOODS LIFT
Ratio	INDIRECT ACTING SIDE 2:1
Max piston travel (m)	12
Number of piston pieces	1 - 2 - 3
Diameters (mm)	DA 70 A 200*
Thicknesses (mm)	5 - 7 - 12 - 22
Max. Pressure (bar)	D70-D140 = 47 bar D150-D165 = 50 bar D180-D200 -> 45 bar

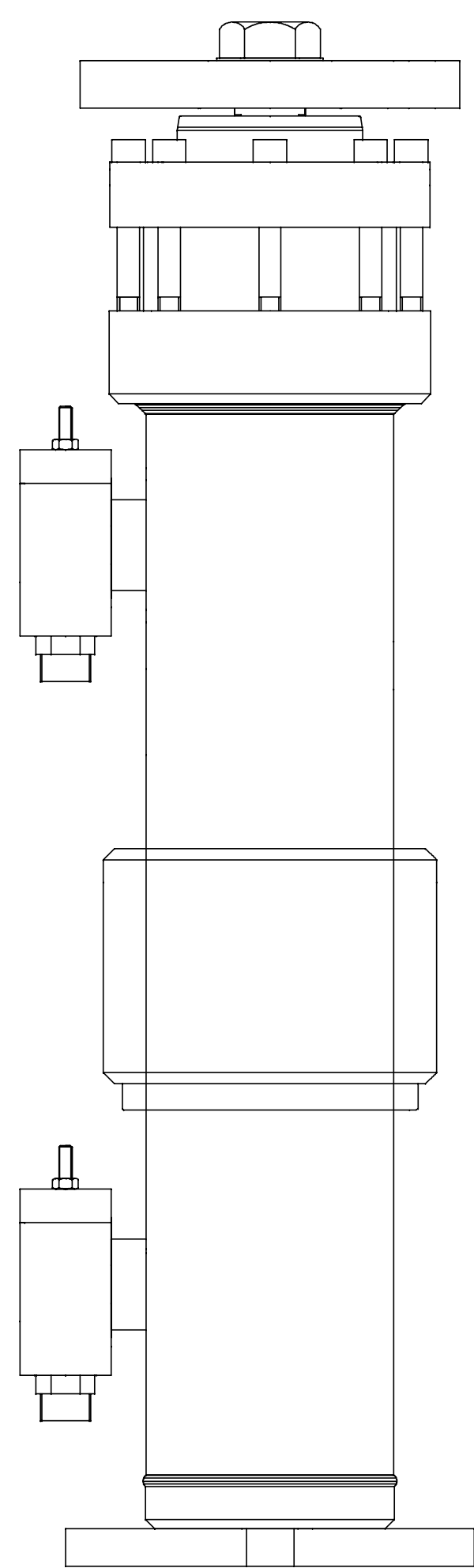
* 9130 model type
Available Diameters 50, 60 and 70 divided in two pieces

< Back to [Goods Lift Jacks INDEX](#)

< Index



Ask for more >



Main advantages

- ▶ High comfort thanks to the ball joint
- ▶ Compact and mechanical precise CYL/ROD joint

Technical Informations

Equipment category	GOODS LIFT
Ratio	DIRECT ACTING SIDE 1:1
Max piston travel (m)	12
Number of piston pieces	1 - 2 - 3
Diameters (mm)	DA 70 A 200*
Thicknesses (mm)	5 - 7 - 12 - 22
Max. Pressure (bar)	D70-D140 = 47 bar D150-D165 = 50 bar D180-D200 -> 45 bar

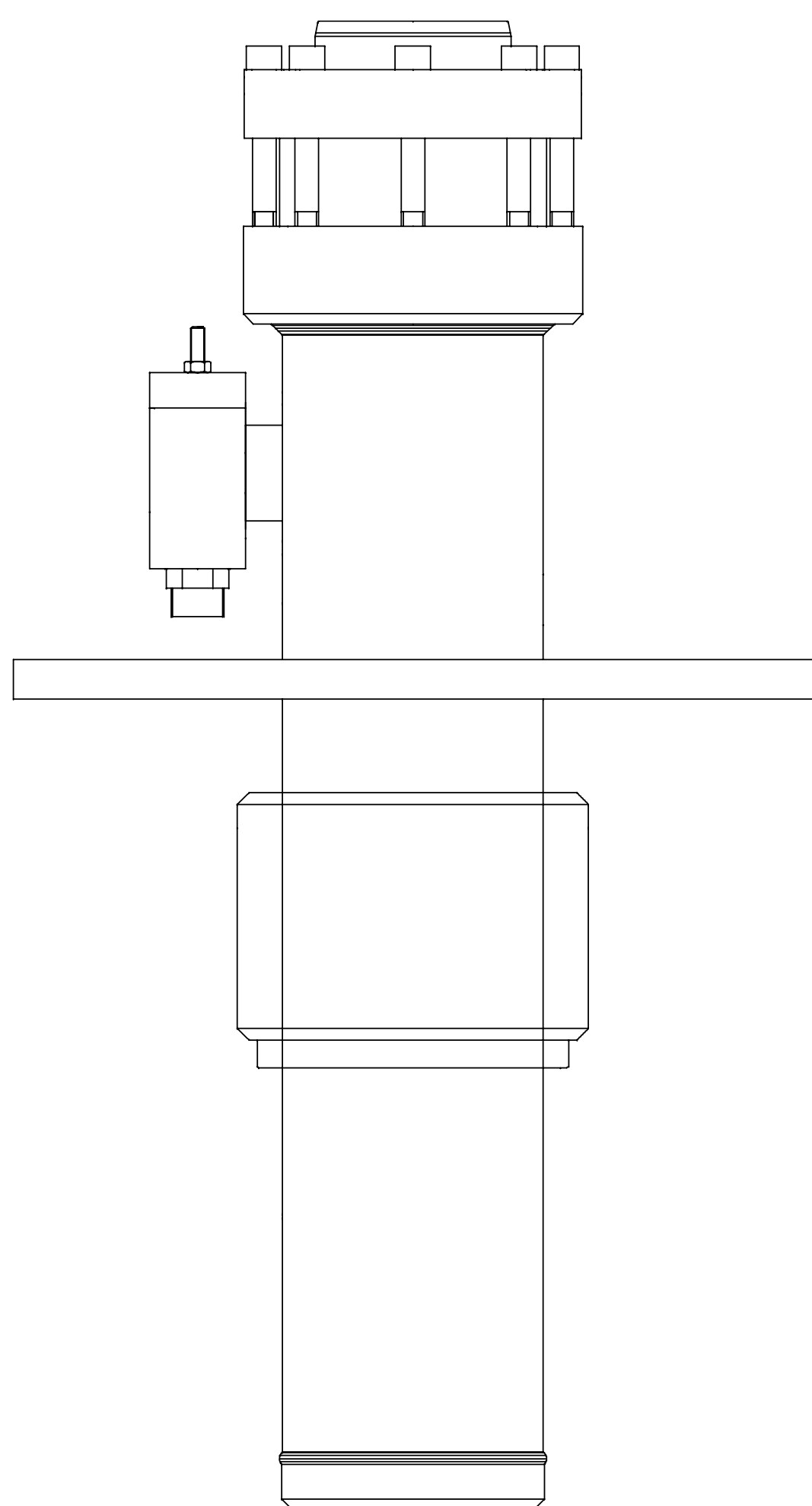
* 9130 model type
Available Diameters 50, 60 and 70 divided in two pieces

< Back to [Goods Lift Jacks INDEX](#)

< Index



Ask for more >

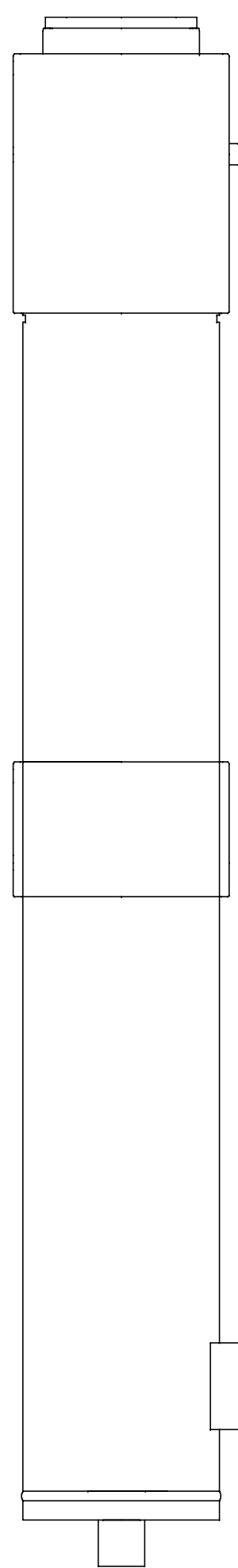


Main advantages

- ▶ Designed for panoramic lift
- ▶ Compact and mechanical precise CYL/ROD joint

Technical Informations

Equipment category	GOODS LIFT
Ratio	CENTRAL DIRECT JACK 1:1
Max piston travel (m)	12
Number of piston pieces	1 - 2 - 3
Diameters (mm)	DA 70 A 200*
Thicknesses (mm)	5 - 7 - 12 - 22
Max. Pressure (bar)	D70-D140 = 47 bar D150-D165 = 50 bar D180-D200 -> 45 bar



Main advantages

- ▶ Compact design
- ▶ High performance for installations with small space compact and mechanical precise CYL/ROD joint

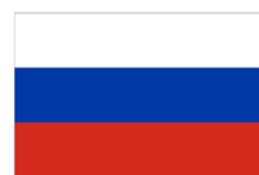
Technical Informations

Equipment category	RESIDENTIAL
Ratio	INDIRECT ACTING SIDE 2:1
Max piston travel (m)	12
Number of piston pieces	1 - 2 - 3
Diameters (mm)	DA 80 A 100
Thicknesses (mm)	5 - 7 - 12
Max. Pressure (bar)	50 bar

RUPTURE VALVE

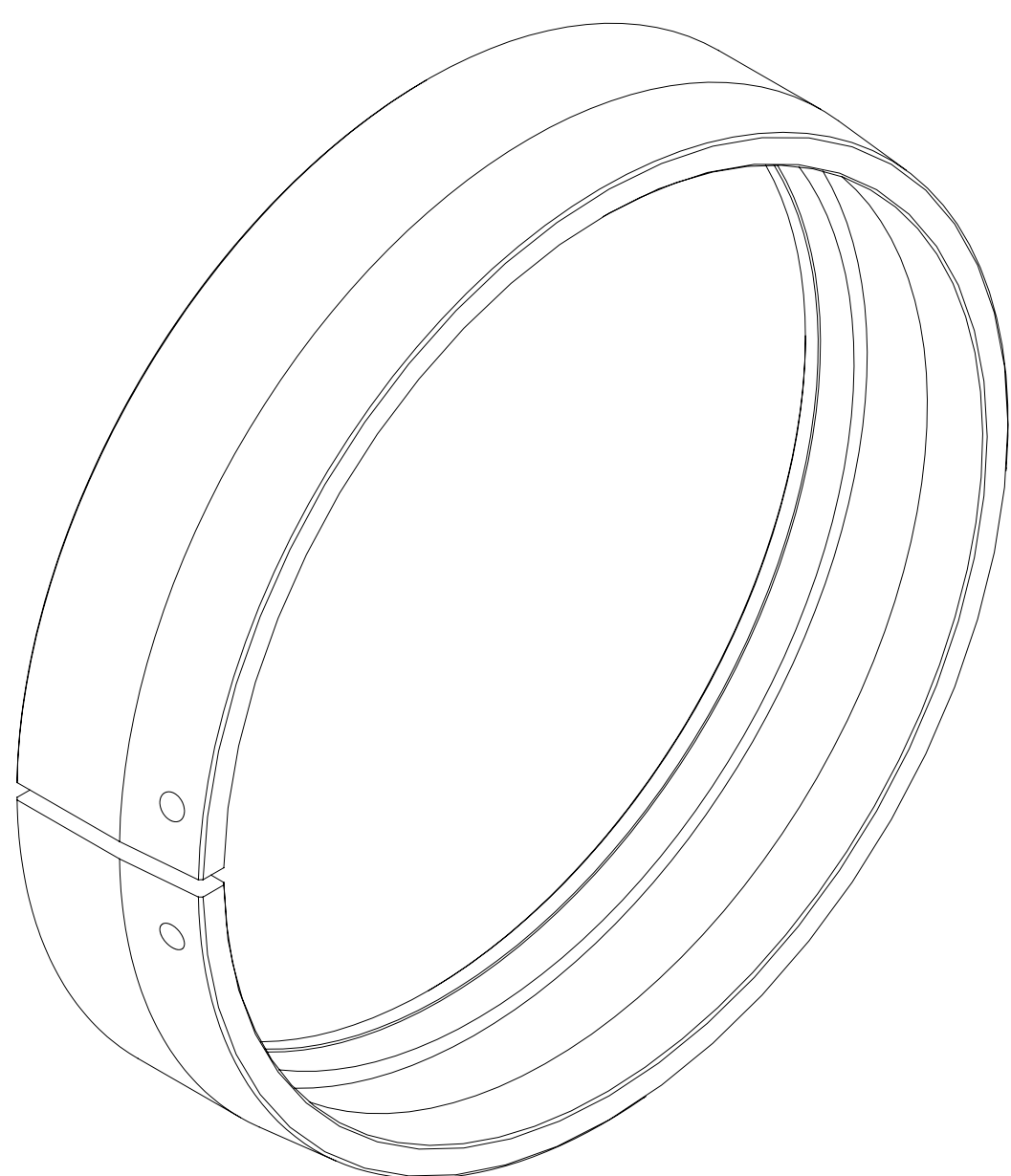


Rupture Valves from 8 l/m to 485 l/m.



[Click to open EAC Certificate](#)

PROTECTION RING



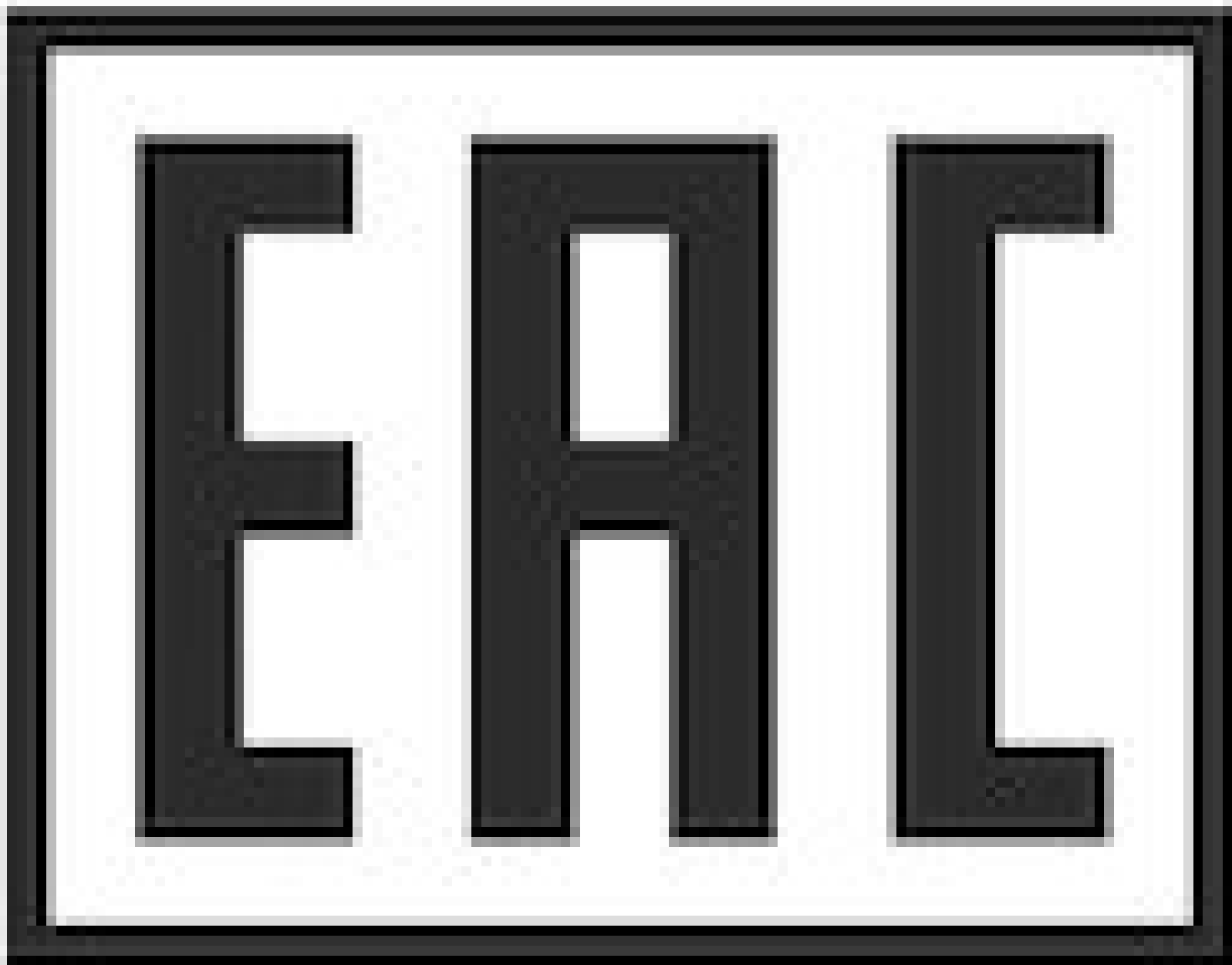
Protection ring
available for diameters 70, 80, 90 and 100.

[< Back to Accessories Jacks INDEX](#)

[< Index](#)



[Ask for more >](#)





HYDRONIC LIFT

via per Cadrezzate, 21/C4, 21020 Brebbia (VA)

tel. +39 0332773134 fax +39 0332773157

www.hydroniclift.it

hydronic@hydroniclift.it

