

Maximum ride comfort with no installation effort

# iValve - reduce the costs intelligently

Save up to 70% installation time

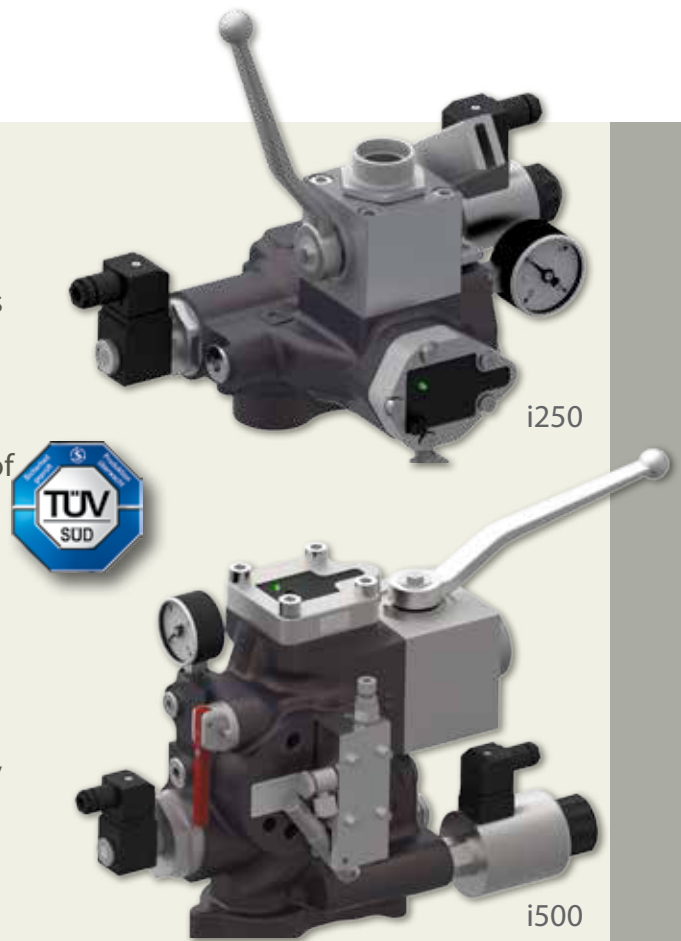
- No more settings of hydraulic parameters required
- The self-teaching algorithm „iTeach“ provides the shortest travel curve autonomously

Save up to 30% energy

- Continuous short travel curve, independent of load and temperature
- In many cases no oil cooling is necessary

Improve safety & enjoy comfort

- Always an accurate positioning of  $\pm 0.3\text{m}$ , to prevent trip hazard
- The self-monitoring function guarantees fully integrated A3 compliance
- Smooth acceleration and deceleration, first class ride quality



## Technical data

iValve Type	Flow Rate Max. l/min	Op. Pressure Max. bar	Connection (P, T) pump / tank	Connection (Z) cylinder	Width mm	Depth mm	Height mm	Weight kg
i250	250	80	G1	28L	313	178	313	10.4
i500	500	80	G1½	42L	490	142	288	22.5

• Temperature: 0°C – 70°C • Viscosity: 20cSt – 500cSt • Pressure medium: acc. oil recommendation list

Intelligently implemented:

- 2 digital, freely programmable pressure switches
- Hand pump / emergency lowering
- Ball valve
- Safety valve A3

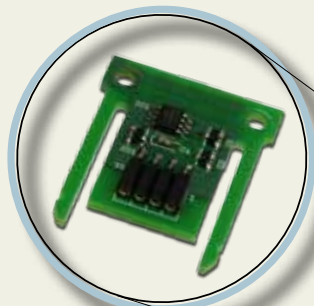
Intelligent accessory:

- open controller „iCon“
- Memory card „ParamCard“
- Power supply (optional)

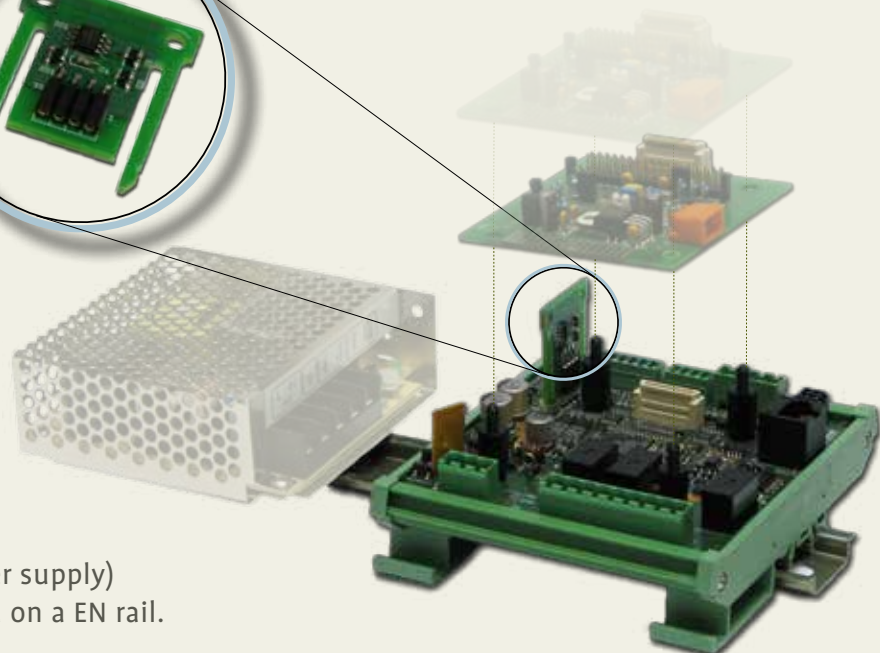
Intelligent accessory

# Controller iCon and ParamCard

All layout data are saved on the ParamCard: iValve and iCon are independent of the installation and convertible.



An arbitrary number of option platines (interface) can be set on the basis platine: The system is open for any kind of interfaces and technologies that exist now and in future.



The controller iCon (and its optional power supply) can easily be mounted on a EN rail.

## Technical data:

<b>Dimensions:</b>	122 x 112 x 63 mm
<b>Supply voltage:</b>	24VDC ± 10 %
<b>Input power in operation:</b>	max. 50 W
<b>Input power in stand:</b>	max. 3 W
<b>Command input:</b>	potential free contacts or 0 resp. 24 VDC
<b>EMV Standard:</b>	EN 12015, EN 12016
<b>Temperature:</b>	0 °C – 70 °C
<b>Max. relative air humidity:</b>	90 %
<b>Protection class:</b>	IP 00
<b>Relay contacts:</b>	
Current:	min. 10 mA / max. 3 A
Voltage:	max. 250 VAC / 30 VDC